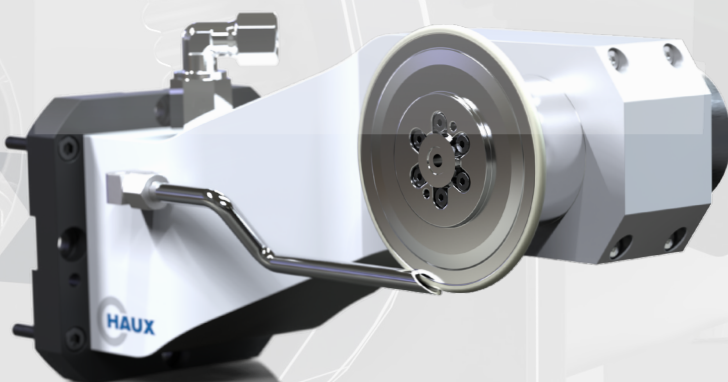


# NU - Dresser Upgrade Options

Optimized - Low Maintenance - Precise

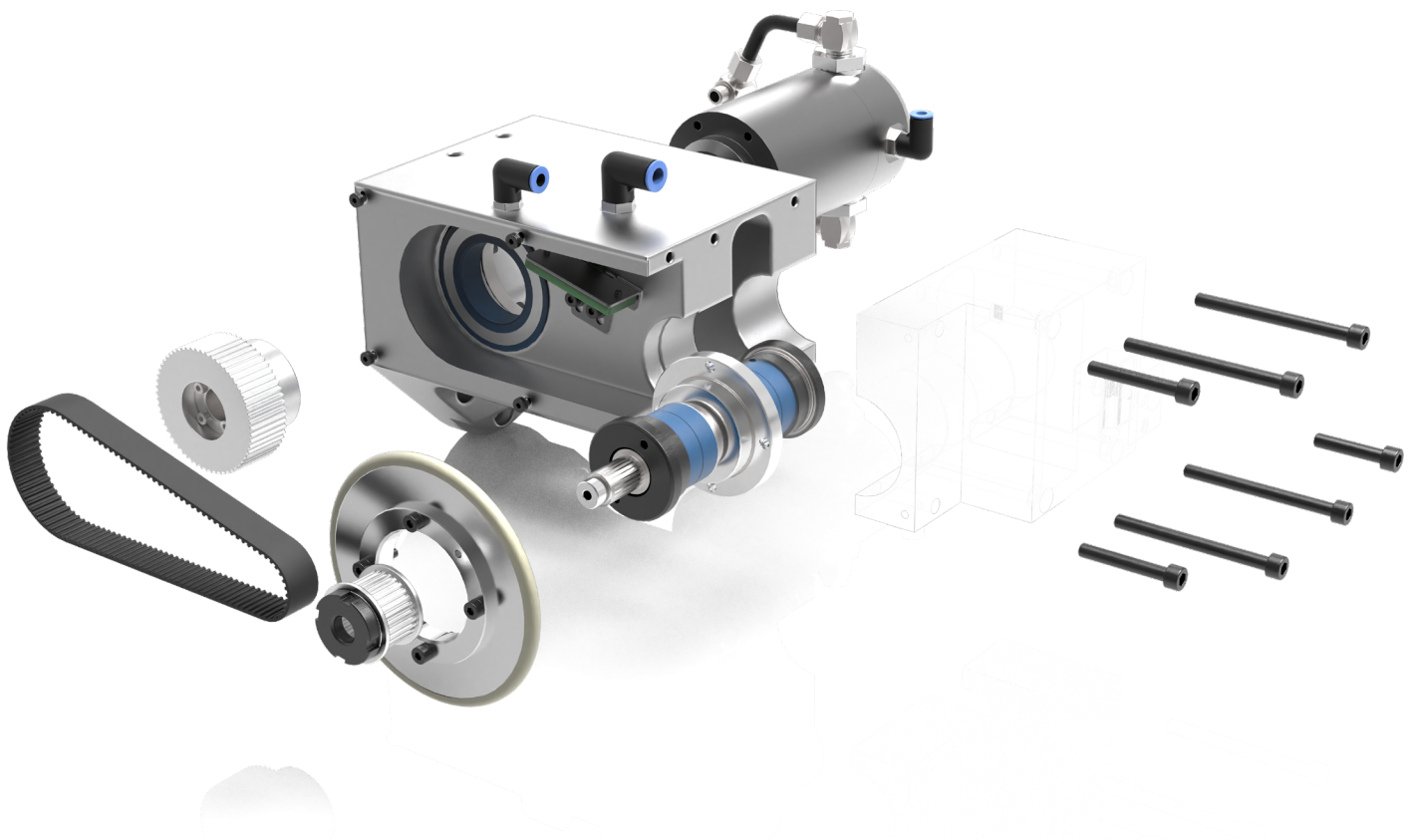


NU Hydraulic Dressing Unit 2.0



NU Synchron Motor Spindle Dresser

**HAUX**

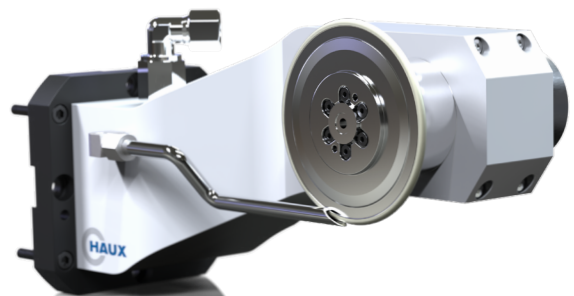


# NU Dressing Unit Upgrade Options

We are introducing two new upgrade options for our NU- and GS\*-Machines.



**HAUX NU Hydraulic Dressing Unit 2.0**  
A fully optimized dresser version improving reliability, maintenance and operation.



**HAUX NU Synchron Motor Spindle Dresser**  
A new Upgrade Option to replace your old hydraulic dressing unit. Offering high speed and high precision.



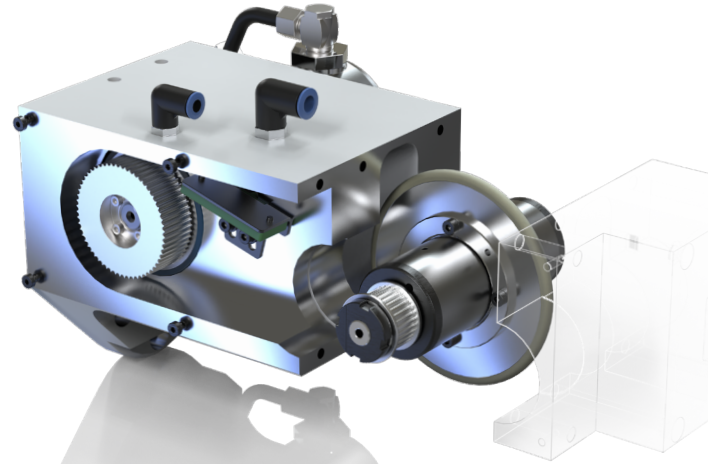
\*Since there are many different configurations we have to individually evaluate if your GS machine is compatible with the chosen dressing unit as is or if there are any changes needed.

# NU Hydraulic Dressing Unit 2.0

Strong - Reliable - Precise

## Specifications

Motor:	<i>Breitenbach M10U/1(S)</i>
Power:	2.400 Watts
RPM Motor:	4000 RPM
RPM Dresser:	8000 RPM
Ø Dressing wheel:	104 mm



## Improvements

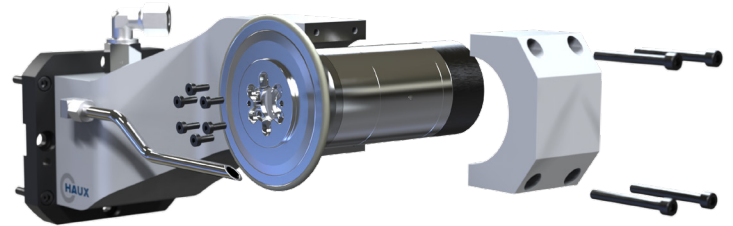
- new hydraulic motor
- decoupled motor
- strengthened easily detachable dressing spindle
- simplified wheel change
- belt tension predefined; no manual adjustment needed
- no need for NU tilting mechanism for wheel change  
-> simplified X1-Axis available on

# NU Synchron Motor Dressing Spindle

High speed - Reliable - Precise

## Specifications

Motor:	Synchron Motor Spindle <i>Meyrat MDS-58</i>
Power:	S1/S6 580/750 Watts
RPM:	25.000 RPM
Ø Dressing wheel:	104 mm



## New

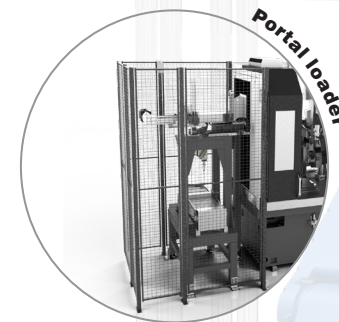
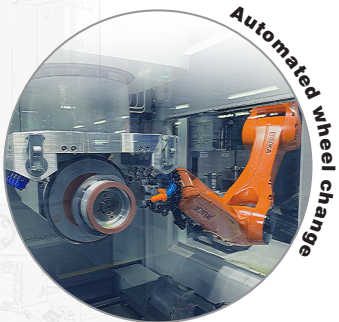
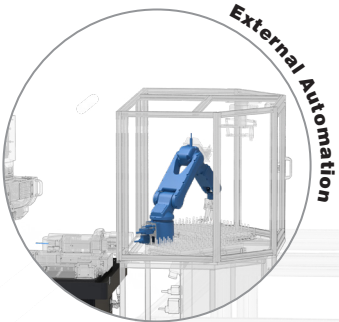
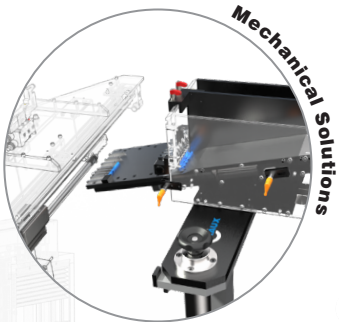
- ultra compact high end spindle by swiss spindle expert *Meyrat*
- synchron motor
- easy & fast wheel change
- no need for NU tilting mechanism for wheel change  
-> simplified X1-Axis available on demand

Adaptor flange for existing NU dressing wheels available!



# HAUX Automation

Elevate performance to the next level



HAUX offers the right automation solution for every situation.



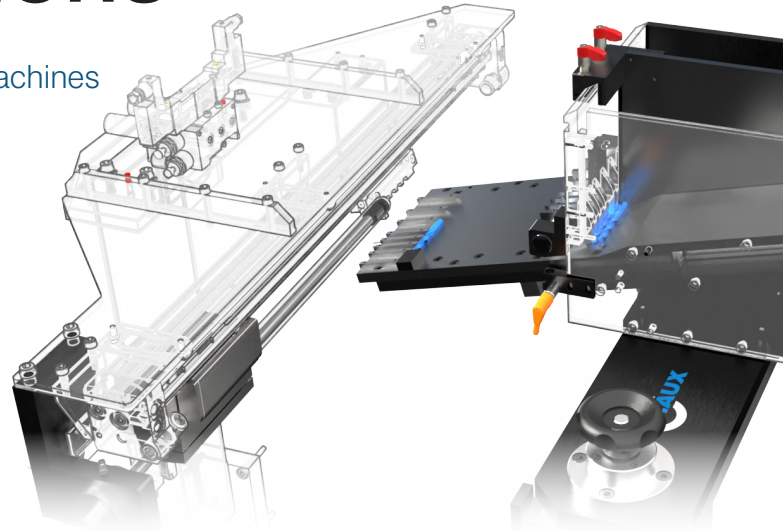
# Automation Options

Examples of automation solutions used in HAUX machines

## Mechanical Solutions

High quality engineering

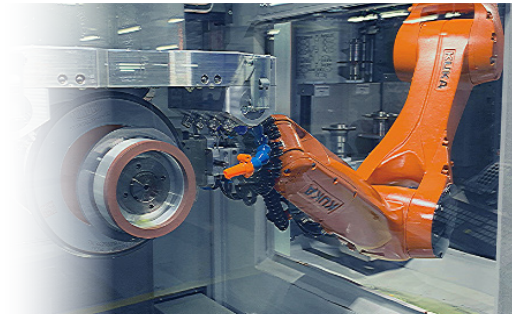
HAUX Machine Tools offers decades of know-how and innovations of the pioneers of high speed grinding. High speed workpiece loading and unloading using magazines and indexing mechanisms offers top speeds in many use cases.



## Robotics

Flexible and universal

Industrial robots offer a great balance of cost and flexibility and can even be used to automate grinding wheel changes. Lots of custom grippers, storage, indexing- and orienting solutions let us customize the scope of the robotic automation of your machine when needed.



## Portal & Production Line Integration

For seamless production

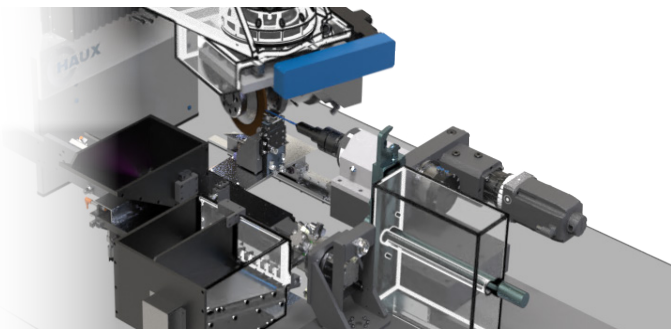
Portals can offer better speeds versus robots for applicable use cases and still remain a lot of the same flexibility.

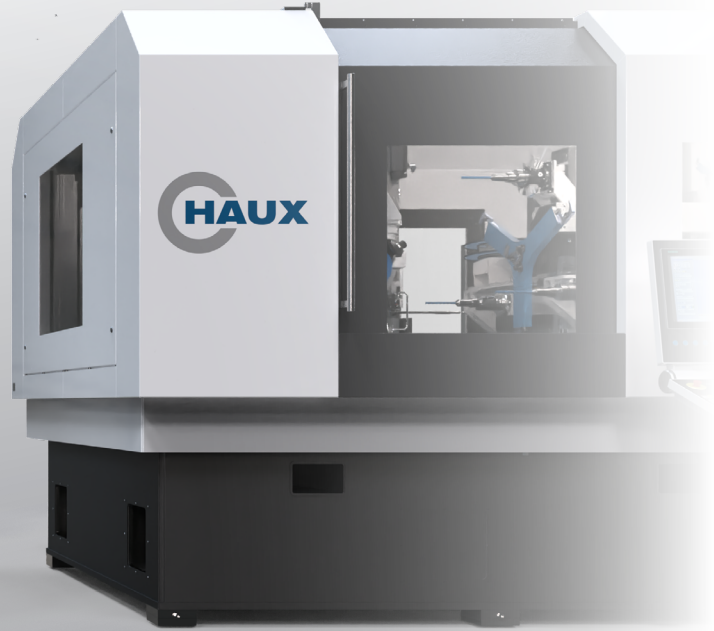


## Special Solutions

For high speed and special customer needs

HAUX has a lot of experience in special applications and individual engineering projects. For special use cases we work closely with our customer to develop the optimal machine for the specific use case.





# HAUX

MOVING  
INNOVATION

For more information visit [hauxmt.com](http://hauxmt.com) or contact us for an individual consultation.

# UE Line

## Universal Eco - Modular Universal grinding

The UE-Line is our allround talent - flexible and expandable. The 5-Axis grinding kinematic of the base model offers you full flexibility and the extra strong structure of all components allows high speed and feed rates. Many different configurations are possible to specialize for specific production requirements using HAUX Modules.



# UP Line

## Universal Premium - High End Universal grinding

The HAUX UP-Line offers full autonomy and ultra high precision. Its high precision servo axis lead to a perfect surface finish and the the high end base body eliminates vibrations. The top model the UPT combines two stations with an automation cell inbetween. Collet changes, tool changes and even grinding wheel packet changes can be done fully automatic.



# MM Line

## High Performance Multi Station

The MM-Line combines two main grinding stations on one base body and offers excellent cycle times using a high end tool changing system that can move the tool between stations and load as well as unload in one single fast movement.



# Special

## High Performance Multi Station

HAUX has a lot of experience in special applications and individual engineering projects. For special use cases we work closely with our customer to develop the optimal machine for the specific use case.





**HAUX** MOVING  
INNOVATION

HAUX Machine Tools offers decades of know-how and innovations of the pioneers of high speed grinding.

## Contact

### HAUX Machine Tools GmbH

Ebinger Str. 50  
72510 Stetten a.k.M  
Baden-Württemberg

GERMANY

Phone: +49 (0)7573 95455-0  
FAX: +49 (0)7573 95455-30

Internet: [hauxmt.com](http://hauxmt.com)  
E-mail: [info@hauxgmbh.de](mailto:info@hauxgmbh.de)



For more Information visit  
**[HAUXMT.com](http://HAUXMT.com)**