

# MM-Line Modular Multi

Universal - Multi Station - Parallel Operation - High Volume





# MM-Line

## HAUX Universal

Production on two grinding stations for flute, OD and face grinding working simultaneously with a high end automated tool changing system.



HAUX Universal grinding machines offer outstanding performance and speed with high flexibility.



# Modular Multi

The MM-Line combines two main grinding stations on one base body and offers excellent cycle times using a high end tool changing system that can move the tool between stations and load as well as unload in one single fast movement.

## Features

### Universal tool grinding

The modular multi is the latest development in the HAUX line up. Optimized for ultra fast feed rates and low cycle times.

### Technical Data

(\*varies depending on configuration and can be extended for special use case)

Workpiece length: max. 205 mm  
Workpiece diameter: 3 mm - 12 mm

#### Station 1:

*Optimized for flute and OD-grinding*

Grinding wheel diameter: 150 mm - 300 mm  
Dressing wheel diameter: 150 mm  
Flange: HSK-A63

#### Station 2:

*Optimized for point and face grinding*

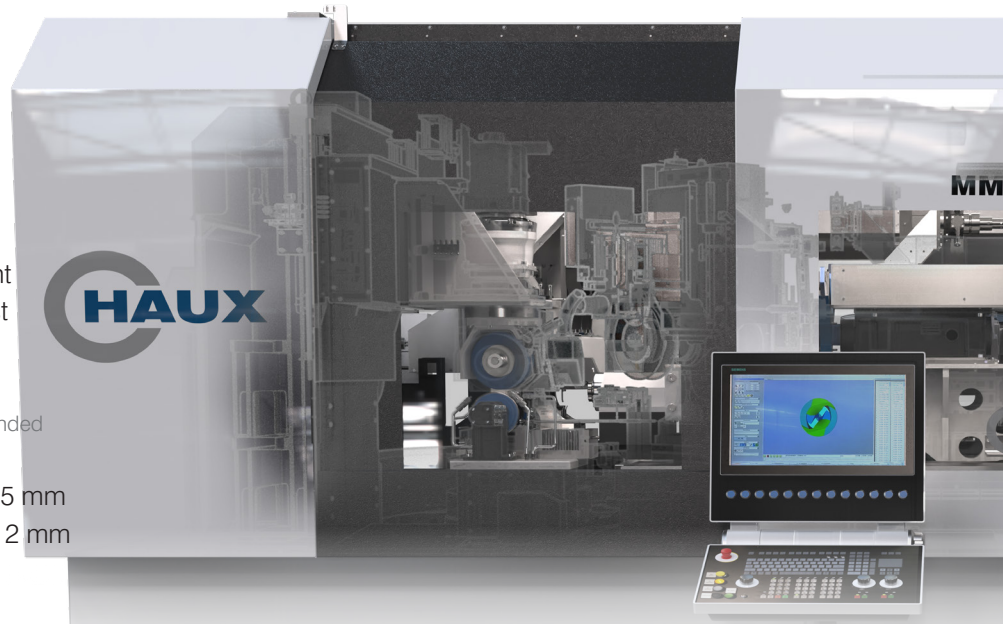
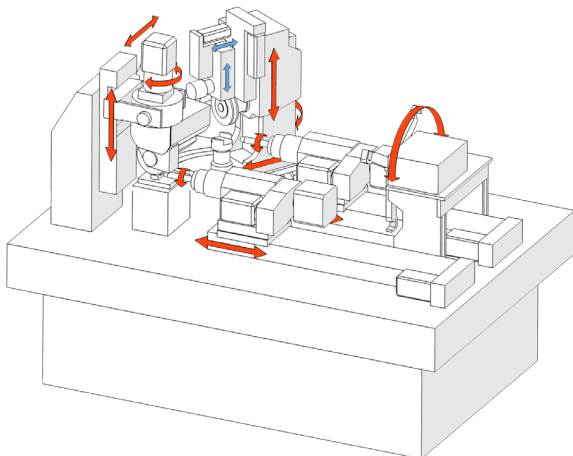
Grinding wheel diameter: 150 mm - 200 mm  
Dressing wheel diameter: 150 mm  
Flange: HSK-C50

## Kinematic

Station 1 7 Axis  
(incl. 2 for Dresser)

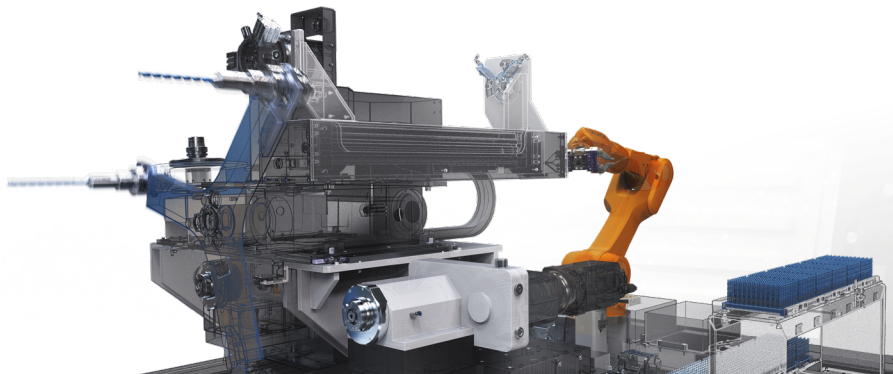
Station 2 5 Axis

Fast Loader 1 Axis



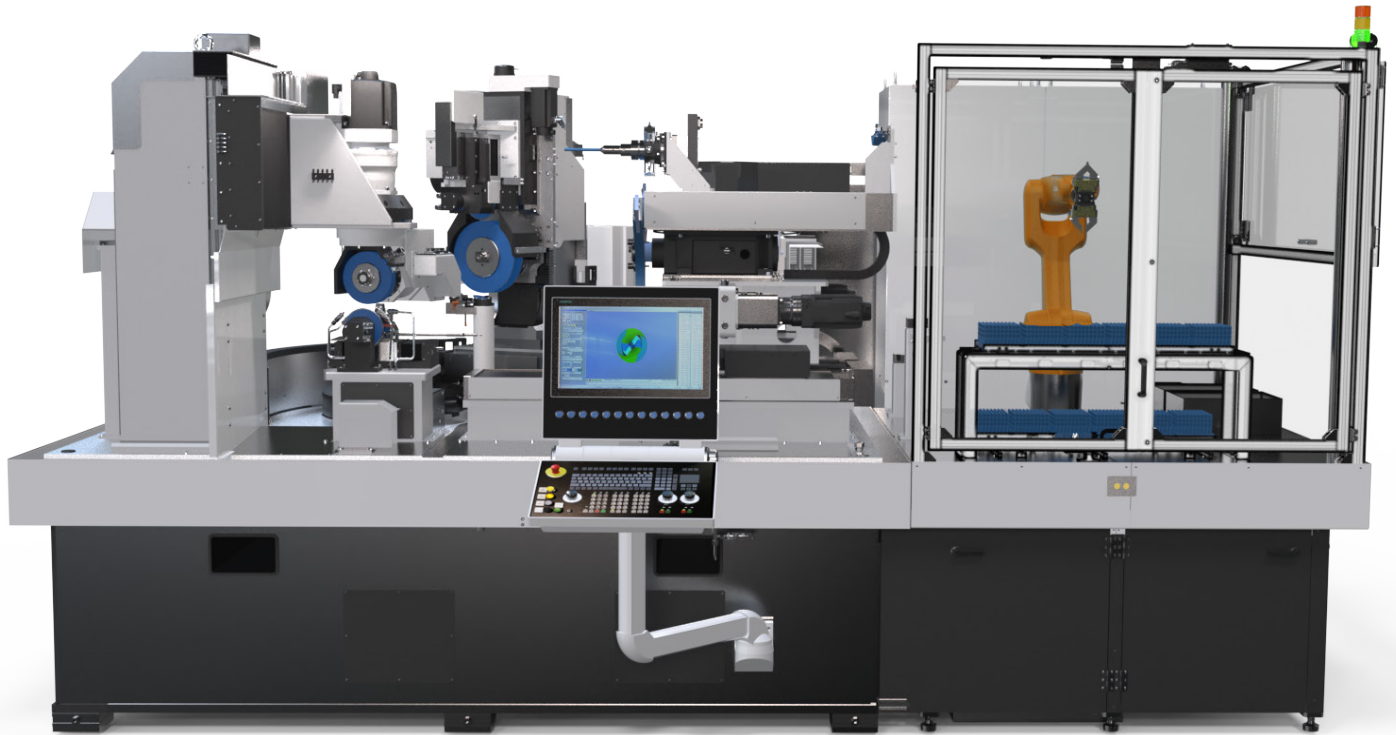
## Fast loader

Ultra low workpiece changing time



The 3-Arm Fast Loader moves the fluted workpiece from station 1 to station 2 for point or face grinding, unloads the finished workpiece and loads a new blank - all in one fast continuous movement!

The HAUX logo, consisting of the word "HAUX" in a bold, blue, sans-serif font, with a large, stylized "C" shape behind it.



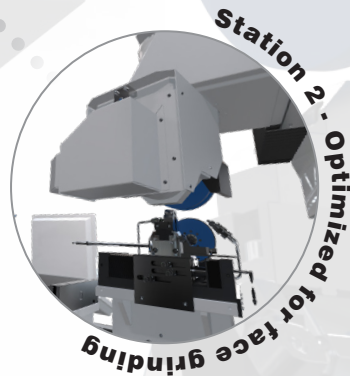
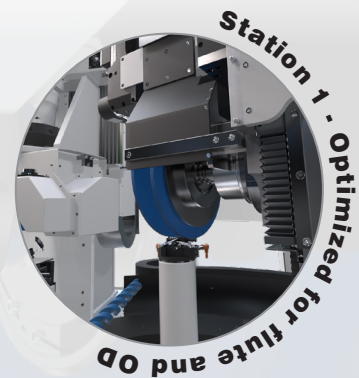
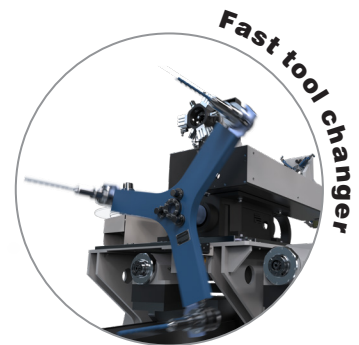
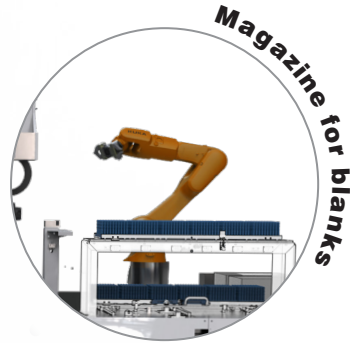
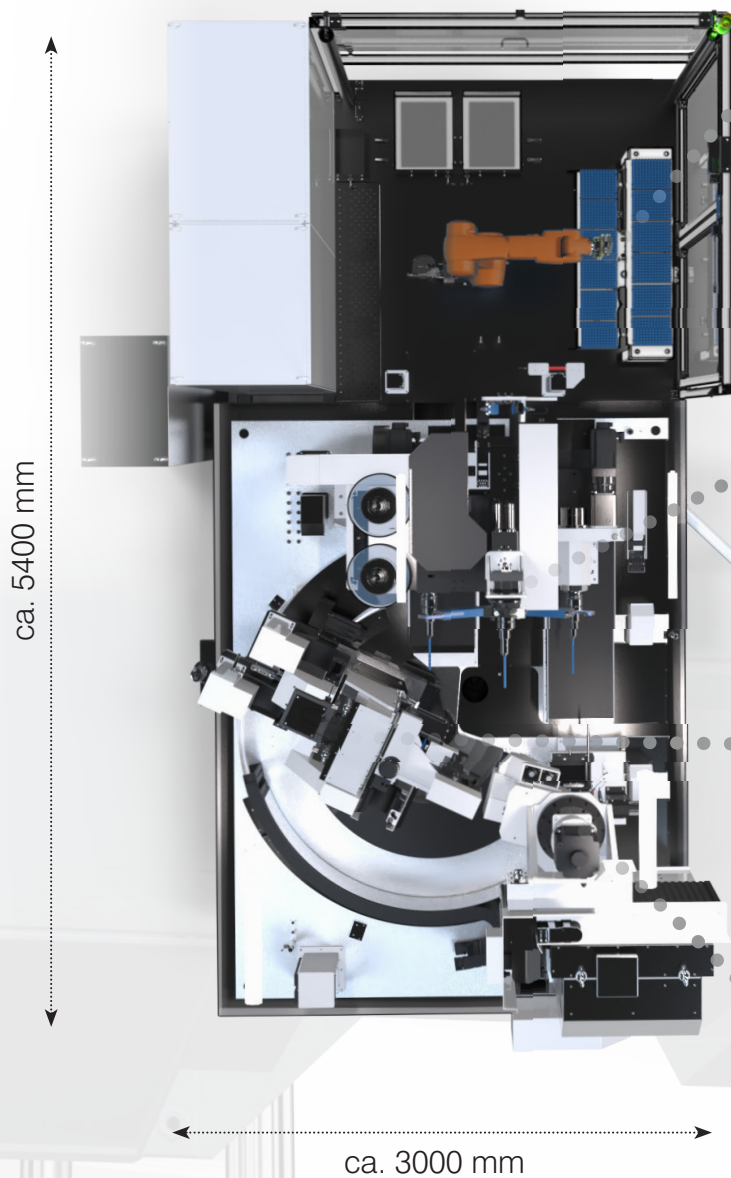
# Multi Station Multi Operation

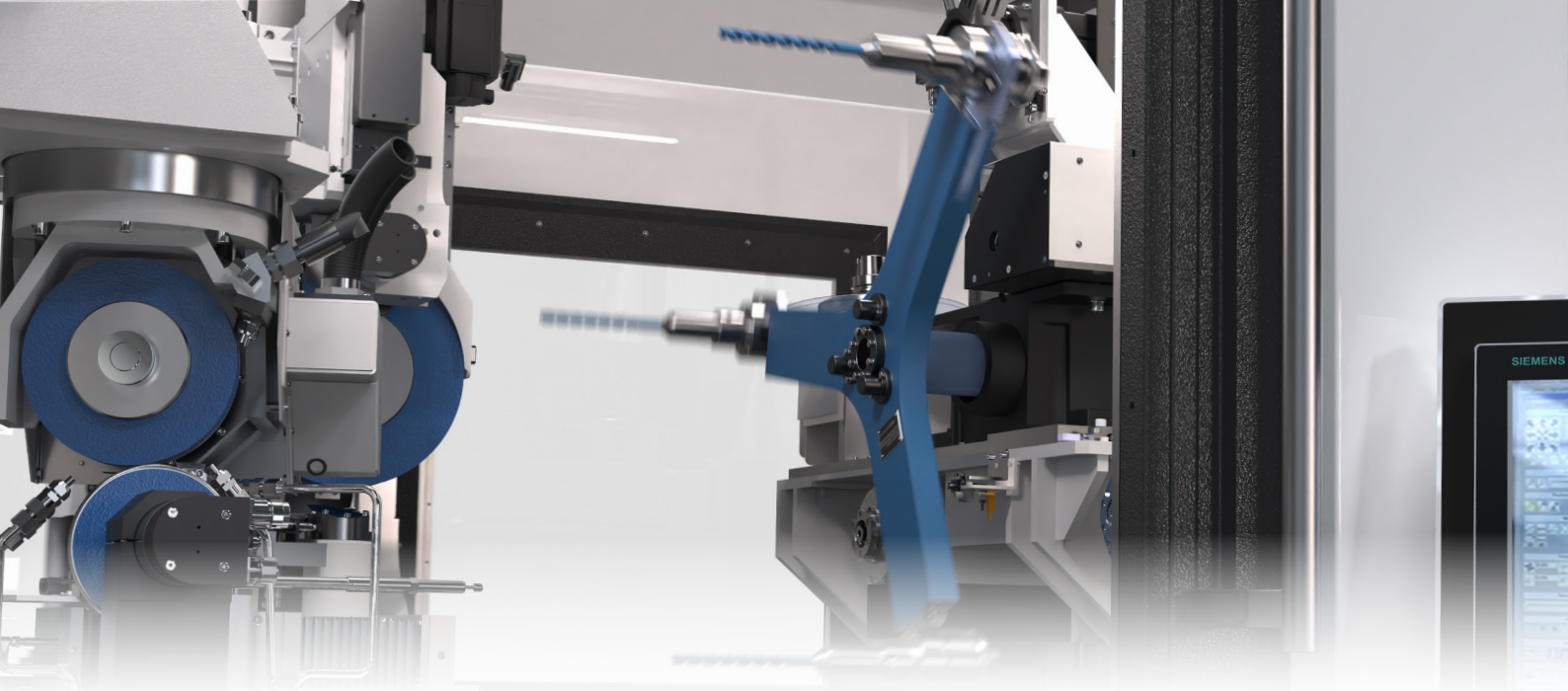
Production on two grinding stations for flute, OD and face grinding working simultaneously with a high end automated tool changing system.



# Layout

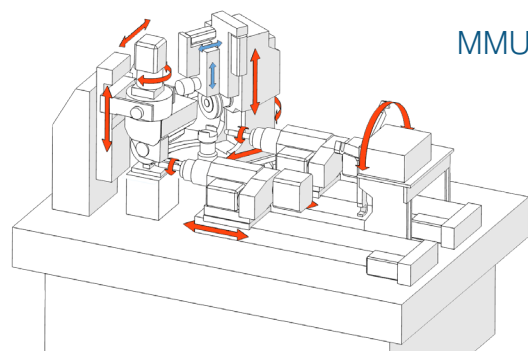
Parallel operation of both grinding stations and tool changing system leads to superior cycle times and high production output.



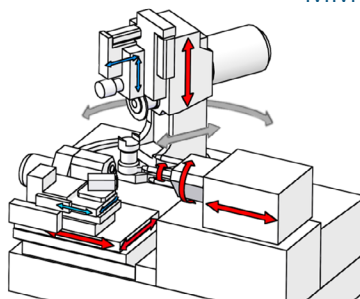


# Machine Configuration

Elevate performance to the next level



MMU



MMW

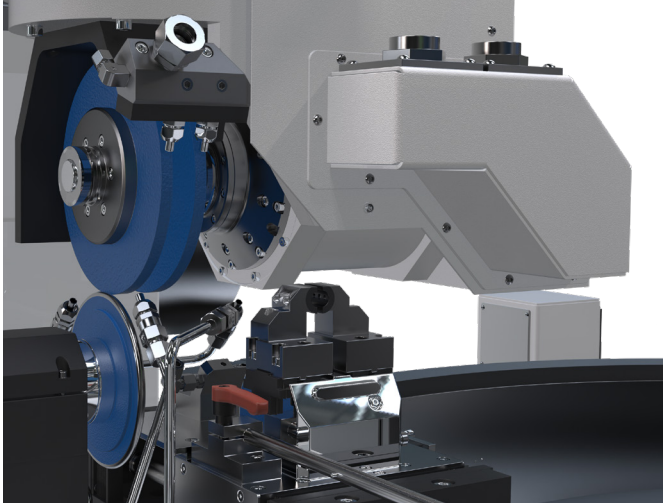
HAUX Modules expand the scope of our machines and give you the choice in what kind of machine you will get. HAUX Universal grinding machines offer outstanding performance and speed with high flexibility. Decades of know-how of the pioneers of high speed grinding made its way into our new line ups.

The Modular Multi includes the best of our UE-Line as well as an optimized flute and OD grinding station combined with high end cnc dressers and a top of the line automation solution.



# Modules

The base configuration of the MM can be expanded using HAUX Modules



## Workpiece support

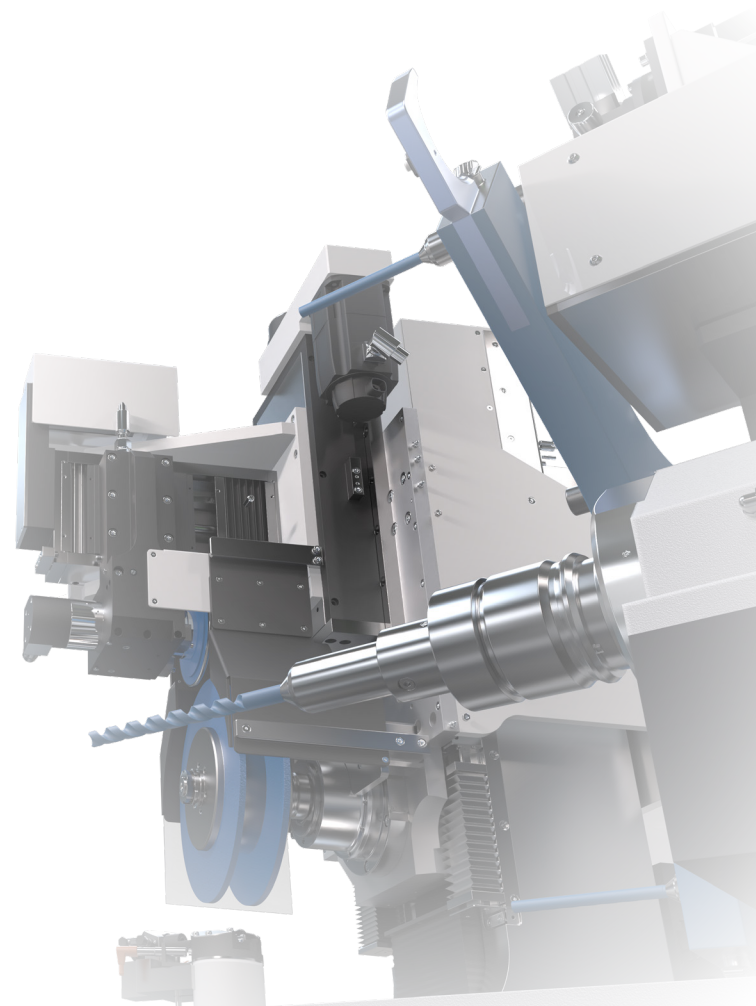
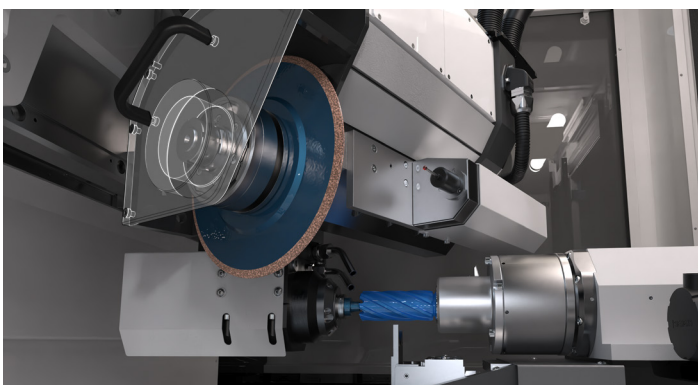
Hydraulic or servo driven

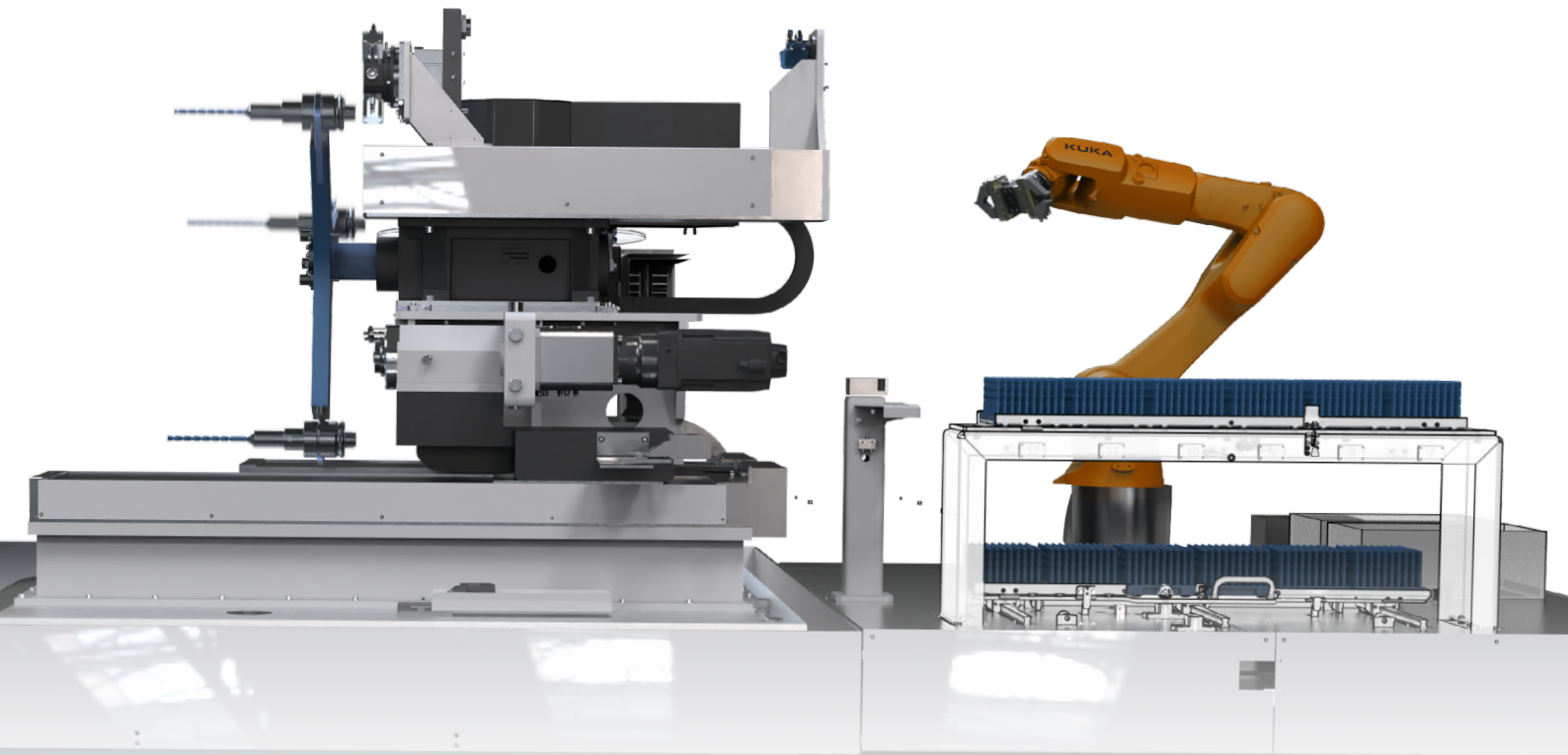
The standard workpiece support is optimized for fast face grinding. Two halves of a bushing perfectly spread the grinding forces and hold the workpiece in place.

## Modules

Customization using existing solutions

Expansions like measuring probes or ID-grinding spindles are available for station 2 that is based on our UE-Line.

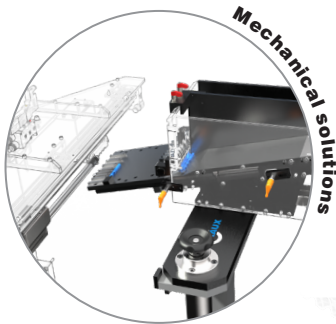




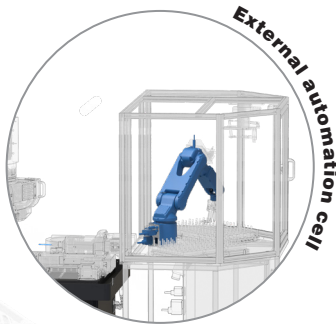
# HAUX

## Automation

Elevate performance to the next level



Mechanical solutions



External automation cell



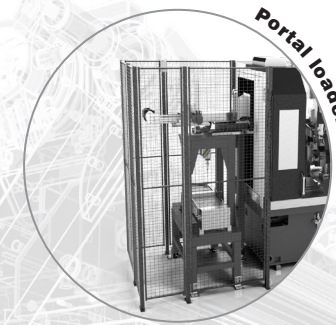
Integrated automation cell



Special solutions



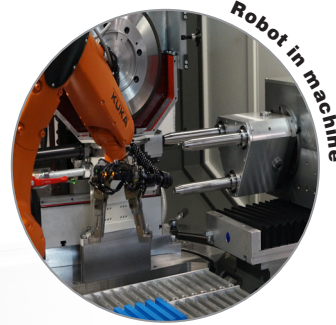
Robot out



Portal loader



Portal connecting machines



Robot in machine



HAUX offers the right automation solution for every situation.



# Software

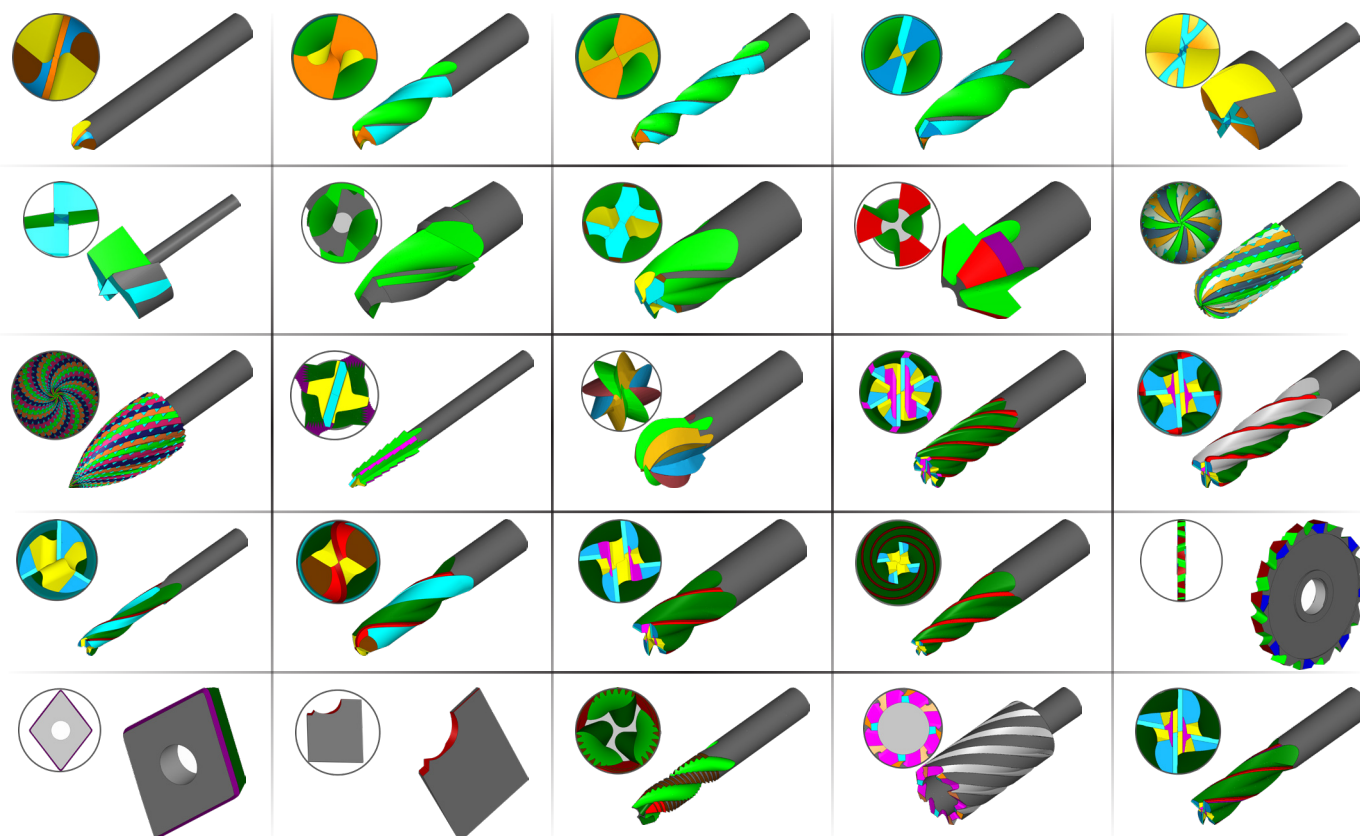
Modular - Expandable - Integrated

Our modular software runs on single machines as well as multi station machines or machines integrated in manufacturing cells. It allows integration into your company's network. Part, order, tooling or measurement data is easily exchanged. Autonomous operation of our machines is optional.

HAUX uses its own software on NC- and PLC-level and cooperates with MTS Switzerland for special use cases. HAUX own profiling software offers great value and specialized optimization for intended applications.

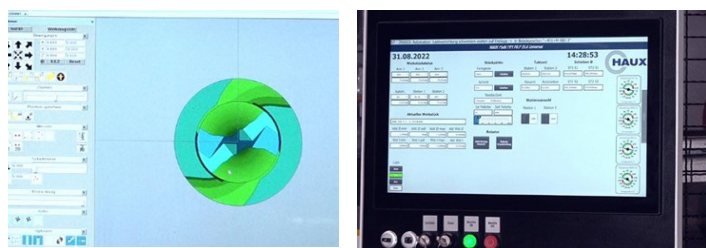
Remote access is offered by default and a new RED-box offers secure high volume data exchange and machine monitoring.

## Applications



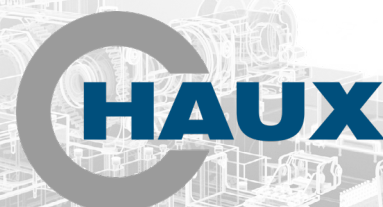
## HAUX HMI

Individual UI - Preview / Simulation



HAUX HMI with parametric tool definition includes live preview of each parameter's effect and on screen explanations.

Current process values are displayed during operation.





# HAUX

MOVING  
INNOVATION

For more information visit [hauxmt.com](http://hauxmt.com) or contact us for an individual consultation.

# UE Line

## Universal Eco - Modular Universal grinding

The UE-Line is our allround talent - flexible and expandable. The 5-Axis grinding kinematic of the base model offers you full flexibility and the extra strong structure of all components allows high speed and feed rates. Many different configurations are possible to specialize for specific production requirements using HAUX Modules.



# UP Line

## Universal Premium - High End Universal grinding

The HAUX UP-Line offers full autonomy and ultra high precision. Its high precision servo axis lead to a perfect surface finish and the the high end base body eliminates vibrations. The top model the UPT combines two stations with an automation cell inbetween. Collet changes, tool changes and even grinding wheel packet changes can be done fully automatic.



# MM Line

## High Performance Multi Station

The MM-Line combines two main grinding stations on one base body and offers excellent cycle times using a high end tool changing system that can move the tool between stations and load as well as unload in one single fast movement.



# Special

## High Performance Multi Station

HAUX has a lot of experience in special applications and individual engineering projects. For special use cases we work closely with our customer to develop the optimal machine for the specific use case.





# HAUX

MOVING  
INNOVATION

HAUX Machine Tools offers decades of know-how and innovations of the pioneers of high speed grinding.

## Contact

### HAUX Machine Tools GmbH

Ebinger Str. 50  
72510 Stetten a.k.M  
Baden-Württemberg

GERMANY

Phone: +49 7573 95455-0  
FAX: +49 7573 95455-30

Internet: [hauxmt.com](http://hauxmt.com)  
E-mail: [info@hauxgmbh.de](mailto:info@hauxgmbh.de)



For more Information visit  
**HAUXMT.com**